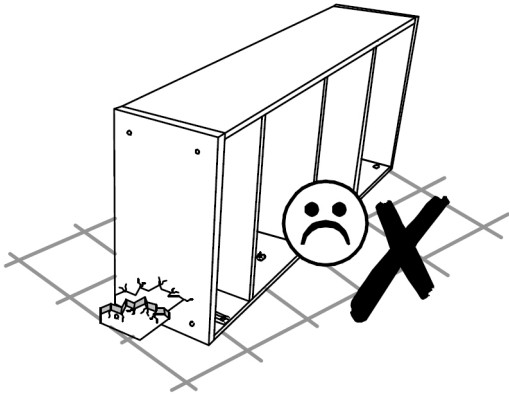
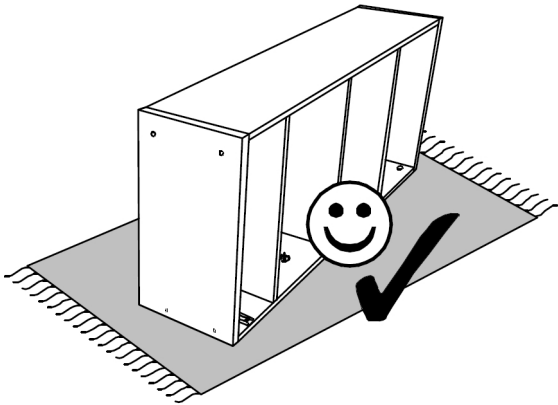
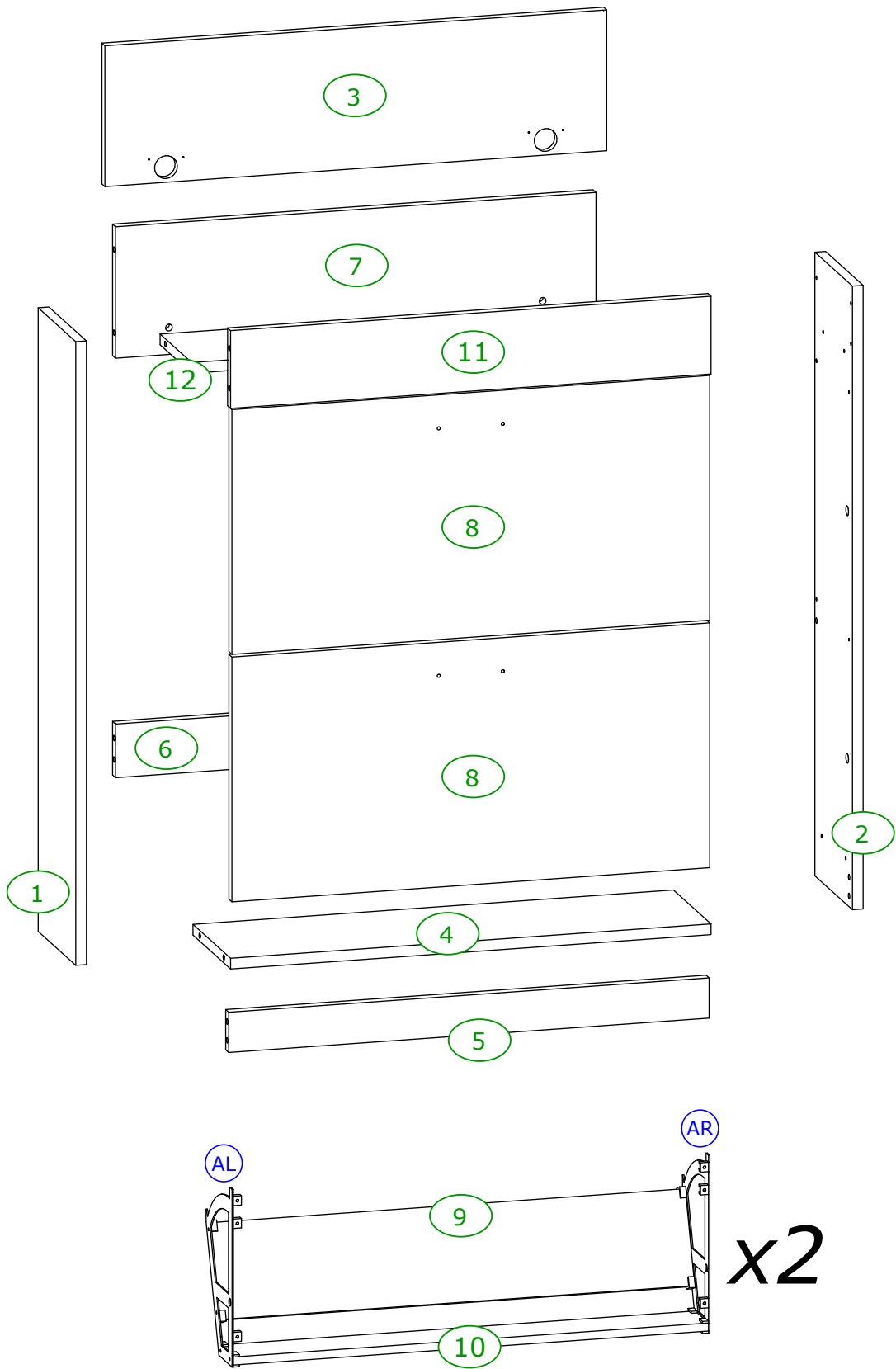


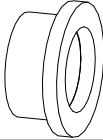
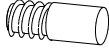
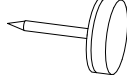
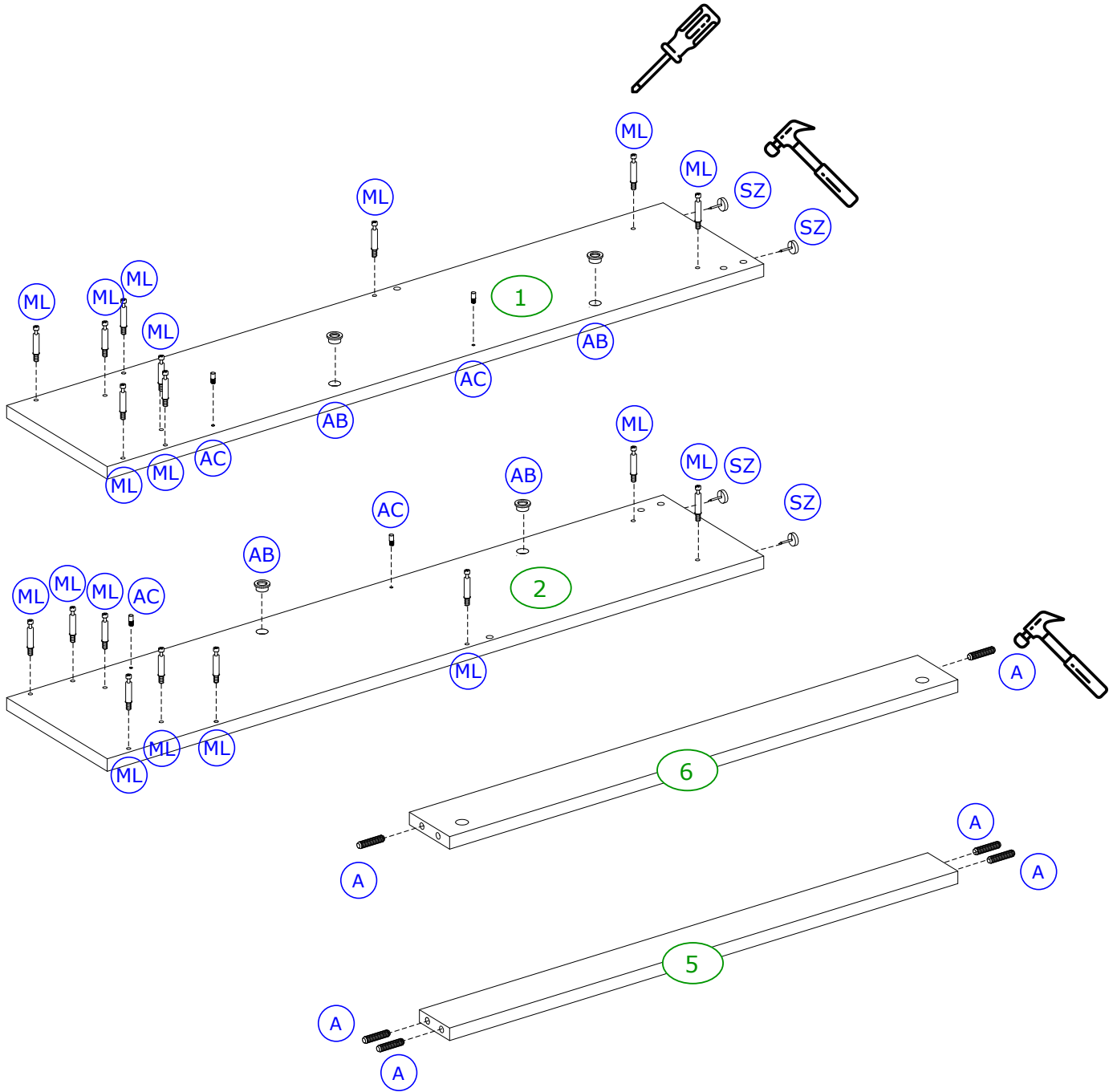


ML 18 x	M1 18 x	A 6 x	L 4 x	X 16 x	J 16 x
		8 x 35	4 x 30	3,5 x 16	3 x 12
AB 4 x	AC 4 x	AD 4 x	AE 4 x	AL 2 x	AR 2 x
ZND 2 x	UN 2 x	XL 2 x	SZ 4 x	MZ 8 x	
		8 x 60			

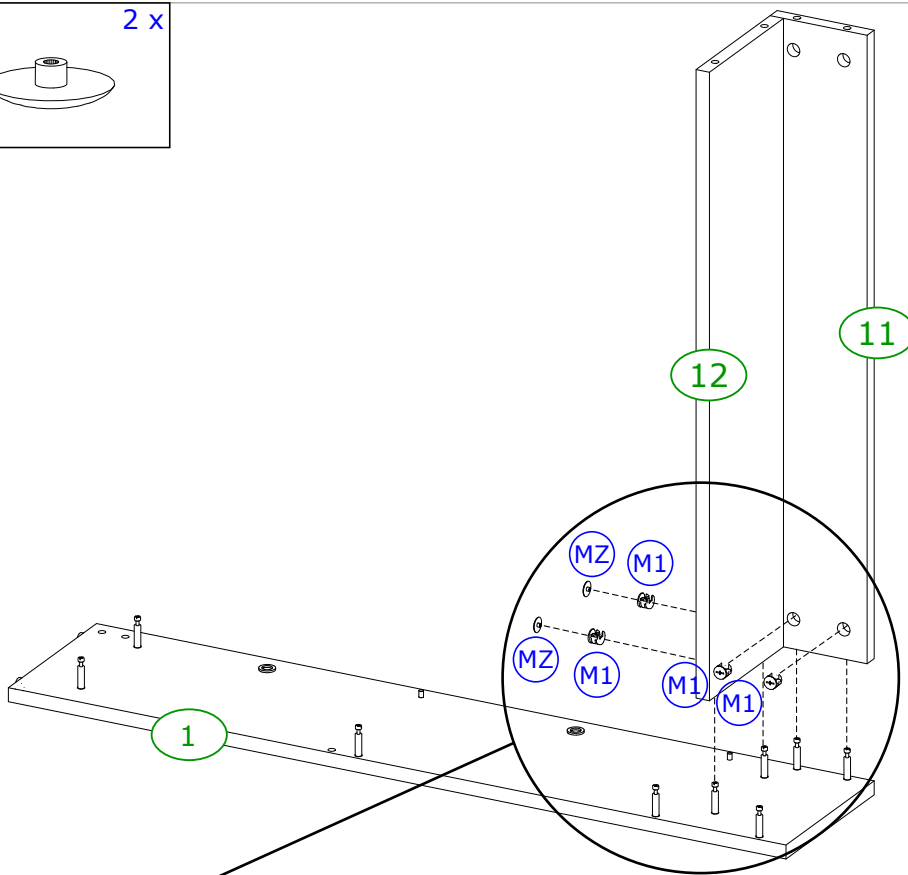
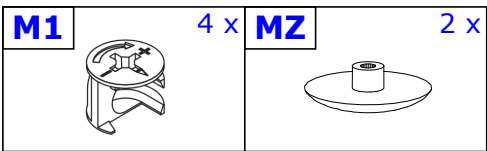




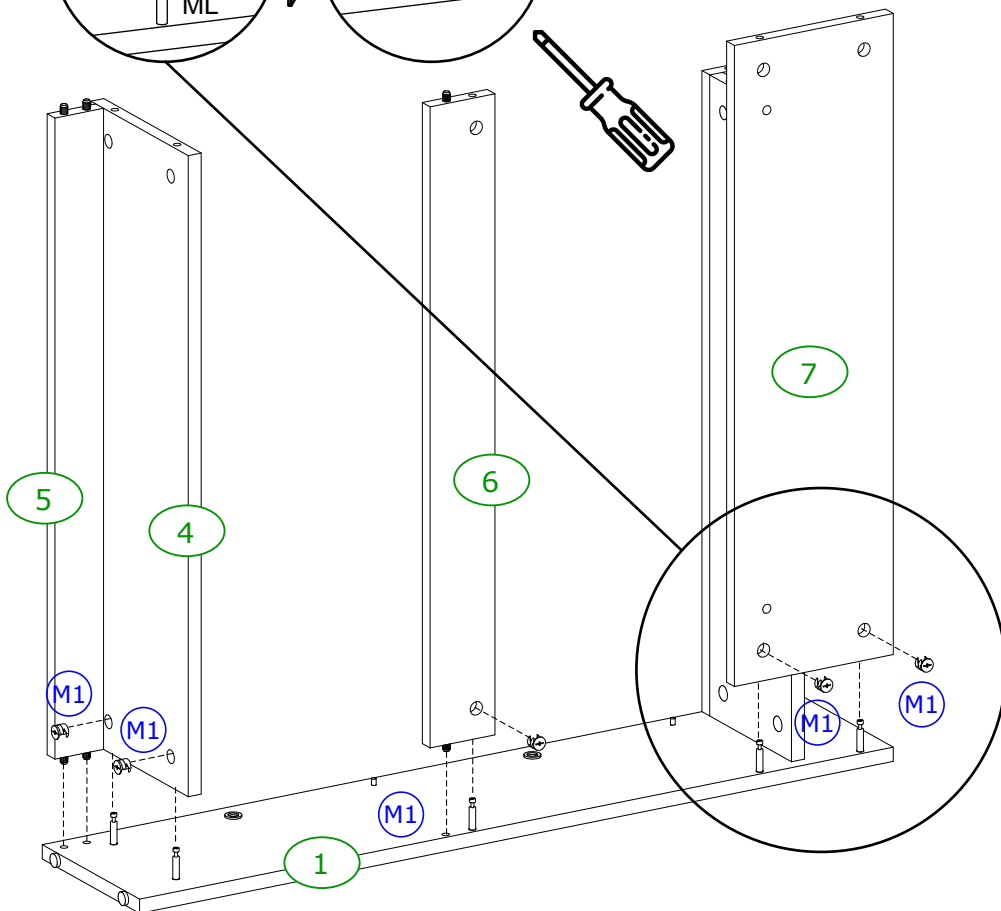
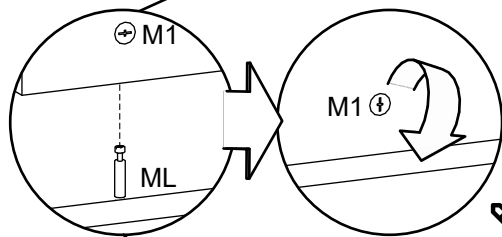
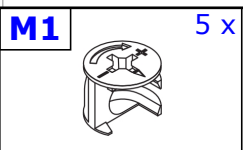
ML	18 x	A	6 x	AB	4 x	AC	4 x	SZ	4 x
			8 x 35						



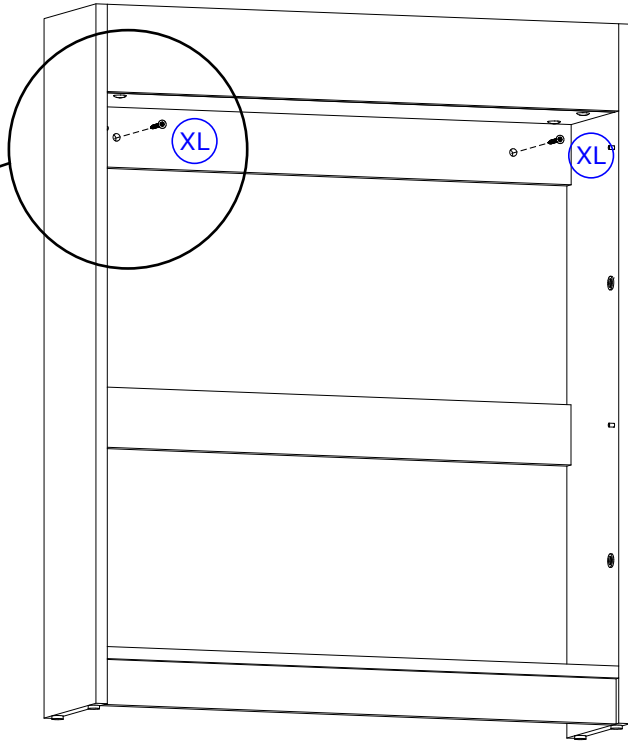
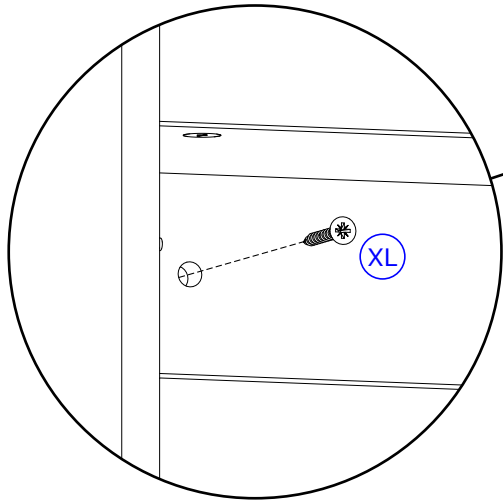
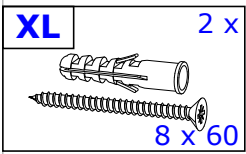
1

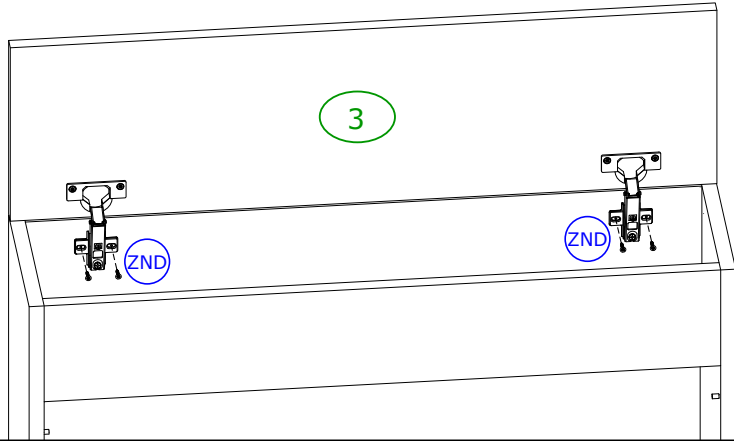
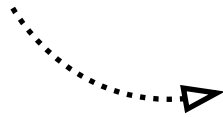
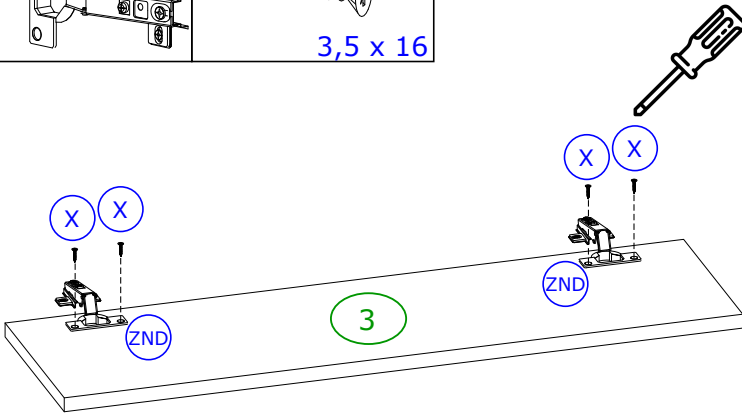
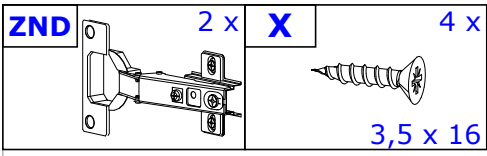


2

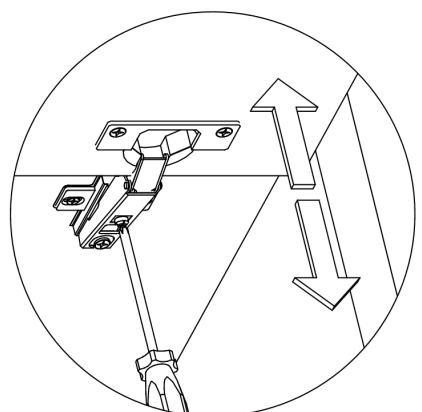
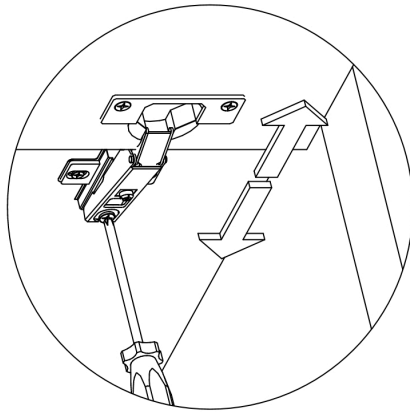
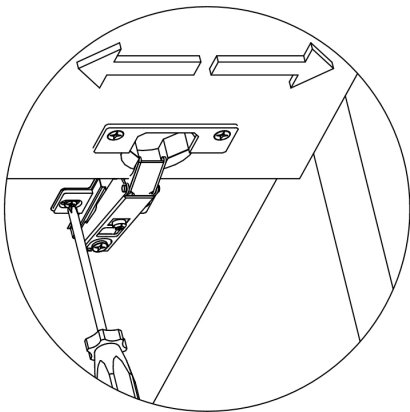


3

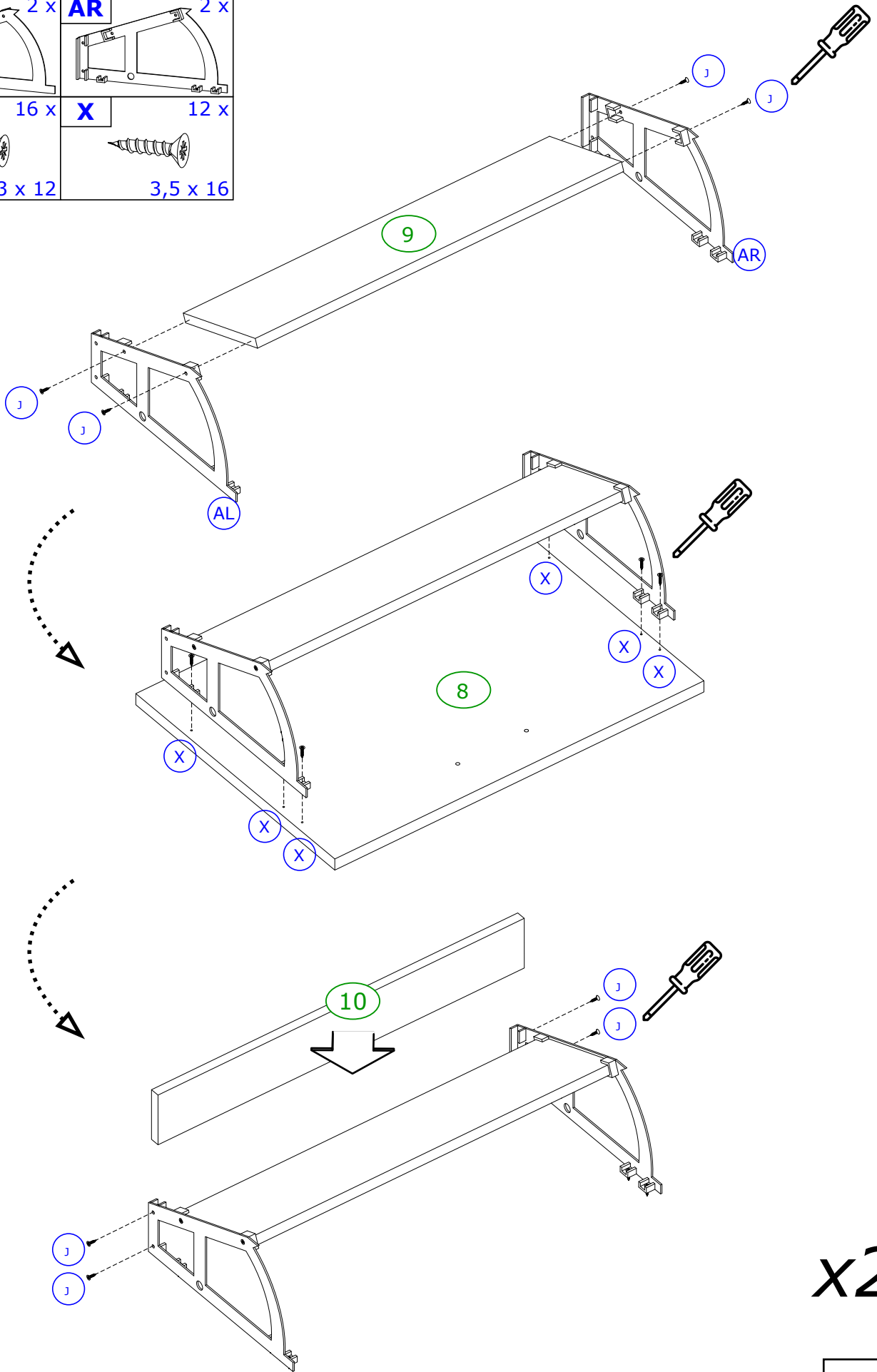




7

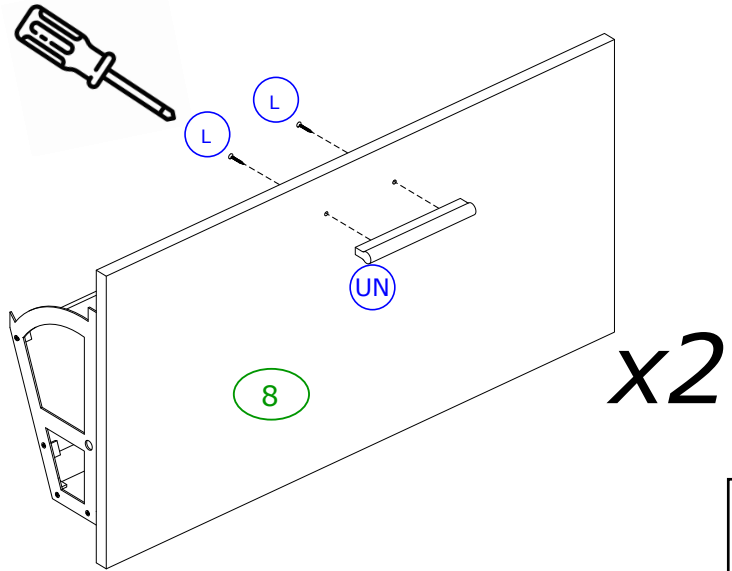
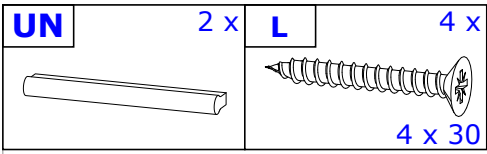


AL	2 x	AR	2 x
J	16 x	X	12 x
	3 x 12		3,5 x 16

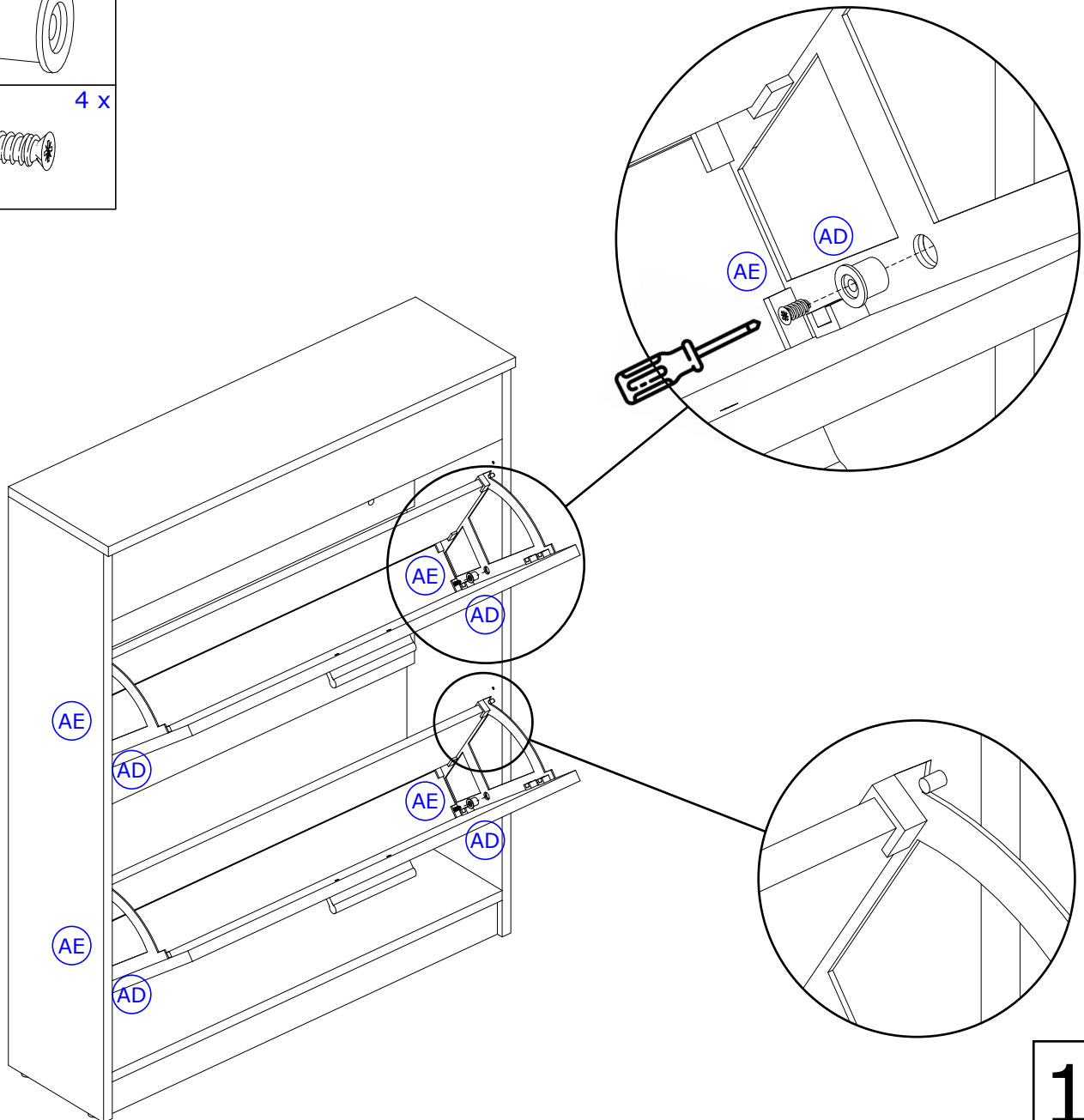
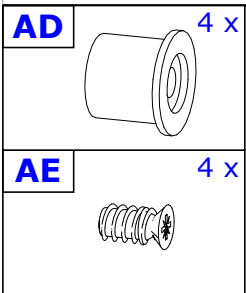


x2

8



9



10